

# RST

*Rope Stretch Technology*

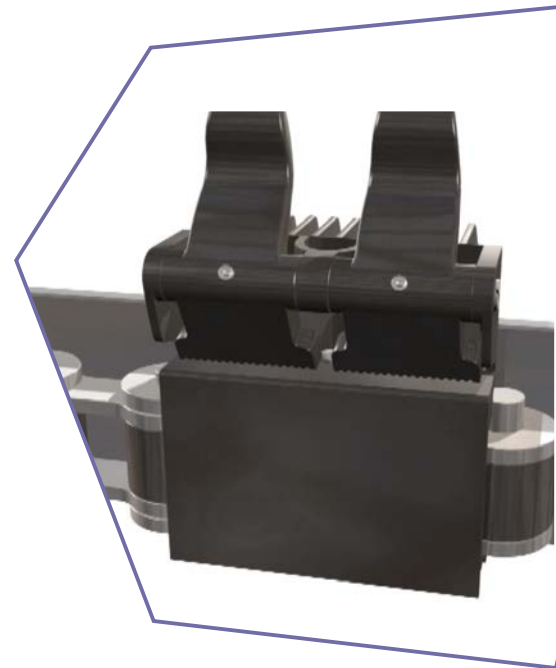
**K** industries

**GL**  **Brain**

# Problems of Conventional Chain Track Systems

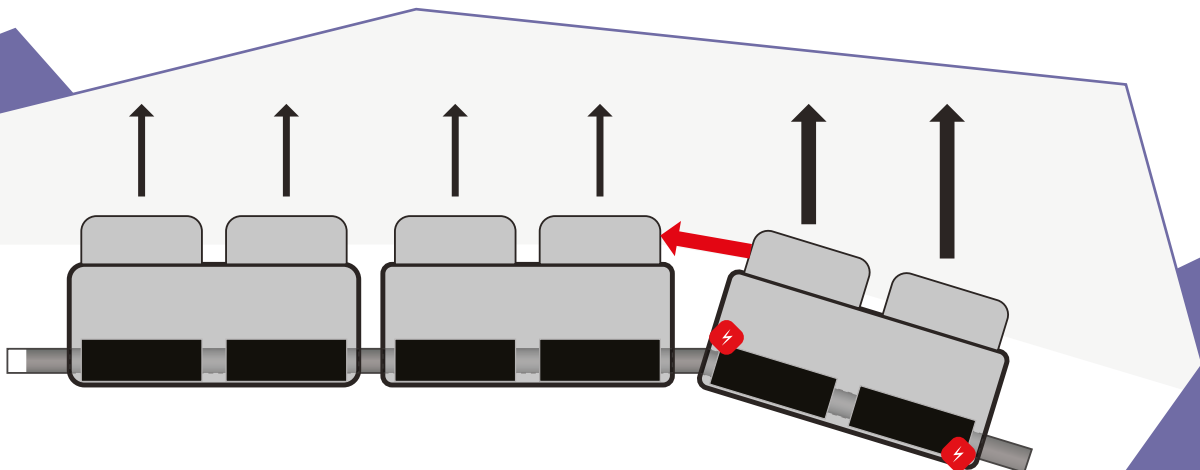
## Mass, friction, oil, heat transfer

- High mass ratio between film and moving parts of TDO
- Friction and system heat generation problems
- High running cost for sliding oil or bearing change
- Low heat transfer values due to construction height



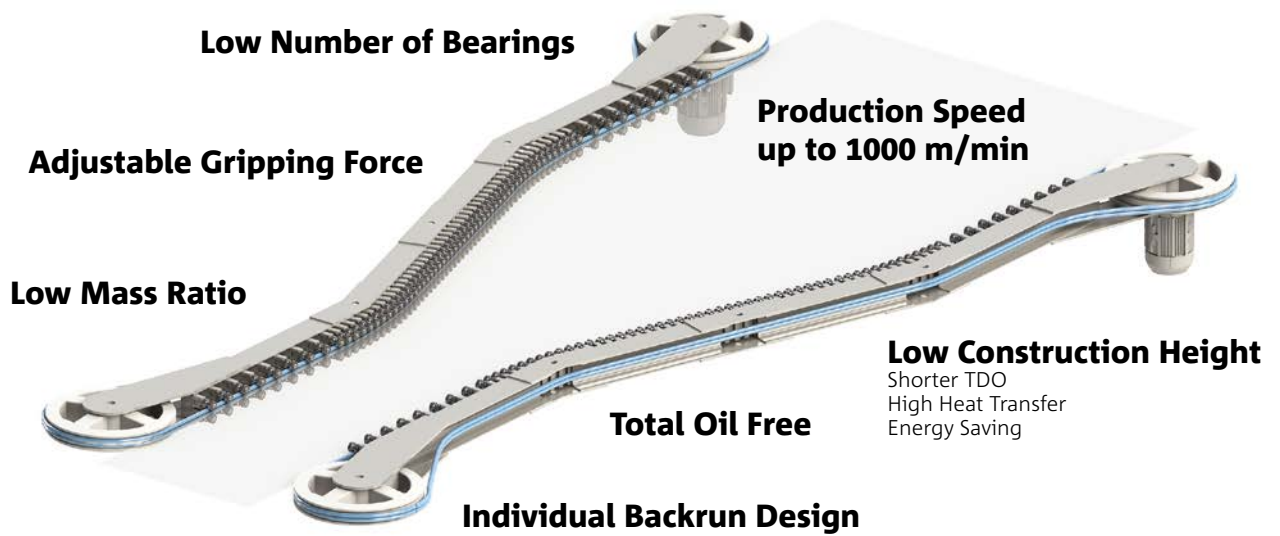
## Uncontrollable forces and limited adjustability

- Uncontrolled longitudinal stretch at beginning of stretching
- Uneven forces damaging sliders and roller bearings
- Limited adjustability of stretch ratio and pattern
- No adjustability of clip gripping forces
- No film release function in case of too high forces

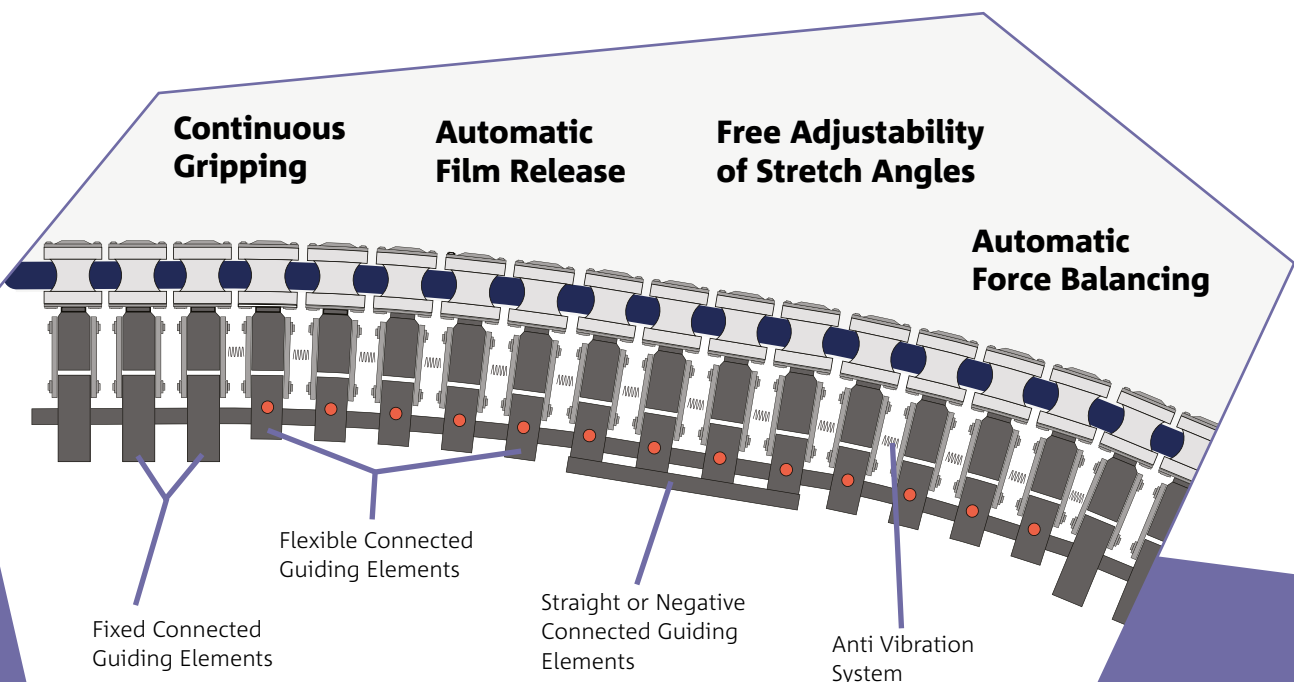


# Rope Stretch Technology

The new way of transporting film



The new way of stretching film





# Rope Stretch Technology

provided by two strong and experienced partners



**K** industries

## The Manufacturing Partner K industries

an Austrian / German manufacturer of industrial machinery in various fields of business and technology. Through its cooperation with Globra Group, K industries has now entered the biaxial film stretching Industry. Together with Globra and Technical University Vienna the Rope Stretch Technology was finally developed and now is available to the market for new installations as well as for upgrading existing biax lines.

**Address:** K industries GmbH, Krestrastrasse 1, 9433 St. Andrae, Austria  
**Tel:** +43 4358 3811-0 | **Mail:** [biax@k-industries.at](mailto:biax@k-industries.at)

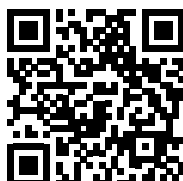


**GL**  **BRA**  
FZ-LLC

## The Licensing Partner Globra FZ-LLC

a Dubai / Austrian based company owned by Dr. Wolfgang Pinegger the inventor of the Rope Stretch Technology. Based on patent rights in all major markets Globra FZ-LLC offers different types and structures of license agreements to its direct customers, all users of new and existing biax lines as well as for companies who want to use this technology in the turn key biax lines they offer.

**Address:** GloBra FZ-LLC, Dubai Internet City, Building 16, Ground Floor, First Steps Office No. 27.  
**Tel:** +971 56 9345950 | **Mail:** [biax@glbrain.com](mailto:biax@glbrain.com)



[k-industries.at](http://k-industries.at)



[RST e-paper](#)



[GLBrain Biax](#)